

PRODUCT INFORMATION PACKET



Model No: LM32862
Catalog No: LM32862
2 HP Severe Duty Motor, 3 phase, 1800 RPM, 230/460 V, 145T Frame, TEFC
Severe Duty Motors



Regal and Leeson are trademarks of Regal Rexnord Corporation or one of its affiliated companies.
©2021 Regal Rexnord Corporation, All Rights Reserved. MC017097E





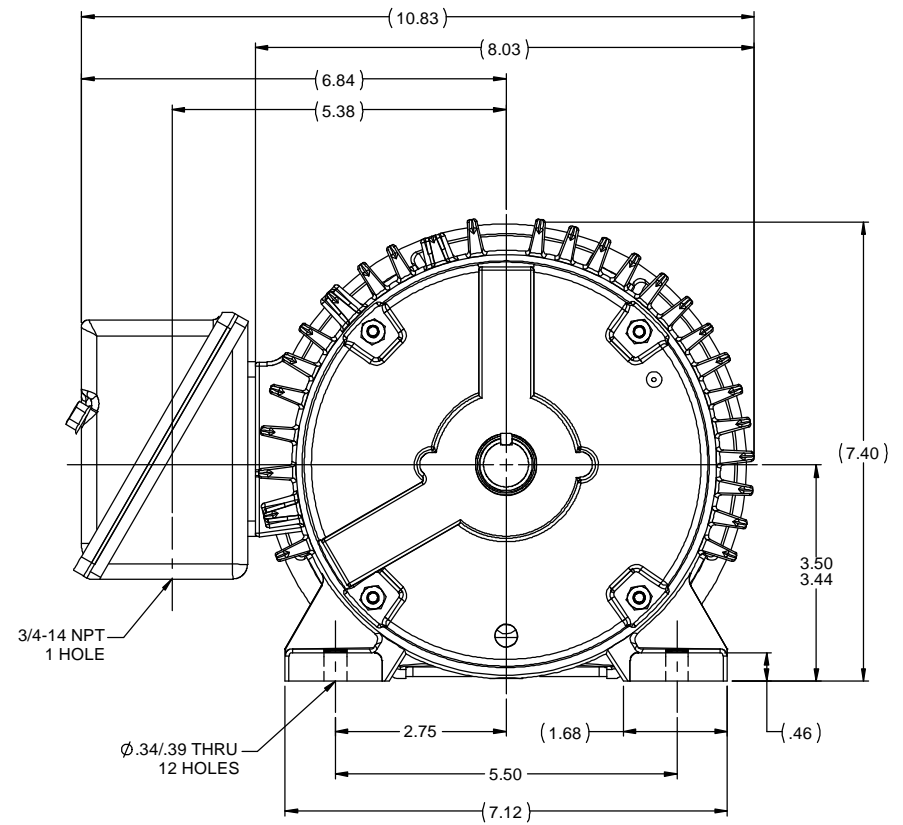
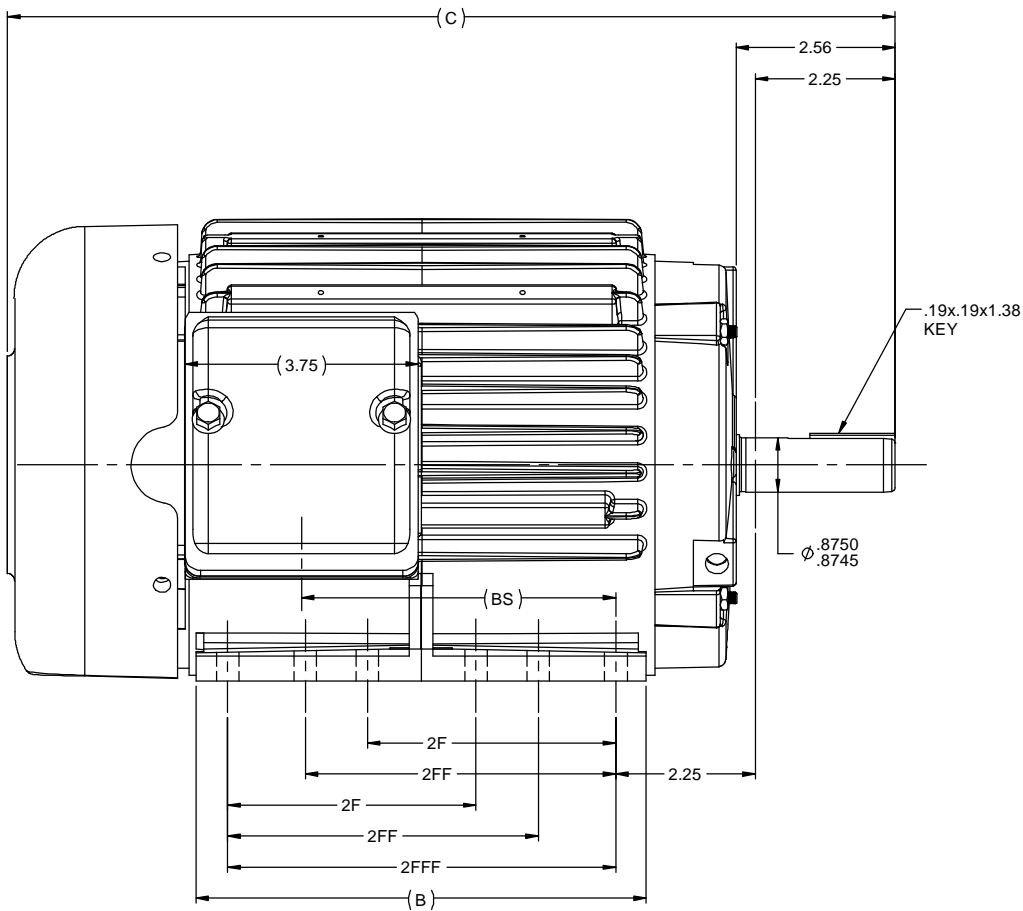
Nameplate Specifications

Output HP	2 Hp	Output KW	1.5 kW
Frequency	60 Hz	Voltage	230/460 V
Current	6.0/3.0 A	Speed	1755 rpm
Service Factor	1.25	Phase	3
Efficiency	86.5 %	Power Factor	72
Duty	Continuous	Insulation Class	F
Design Code	B	KVA Code	N
Frame	145T	Enclosure	Totally Enclosed Fan Cooled
Thermal Protection	No	Ambient Temperature	40 °C
Drive End Bearing Size	203	Opp Drive End Bearing Size	205
UL	Recognized	CSA	Y
CE	Y	IP Code	54
Number of Speeds	1		


Technical Specifications

Electrical Type	Squirrel Cage Induction Run	Starting Method	Across The Line
Poles	4	Rotation	Reversible
Resistance Main	6.51 Ohms	Mounting	Rigid Base
Motor Orientation	Horizontal	Drive End Bearing	Ball
Opp Drive End Bearing	Ball	Frame Material	Cast Iron
Shaft Type	T	Overall Length	14.29 in
Frame Length	7.50 in	Shaft Diameter	0.875 in
Shaft Extension	2.25 in	Assembly/Box Mounting	F1/F2 CAPABLE
Outline Drawing	104534LN-750	Connection Drawing	EE7308-LN

This is an uncontrolled document once printed or downloaded and is subject to change without notice. Date Created:10/07/2021



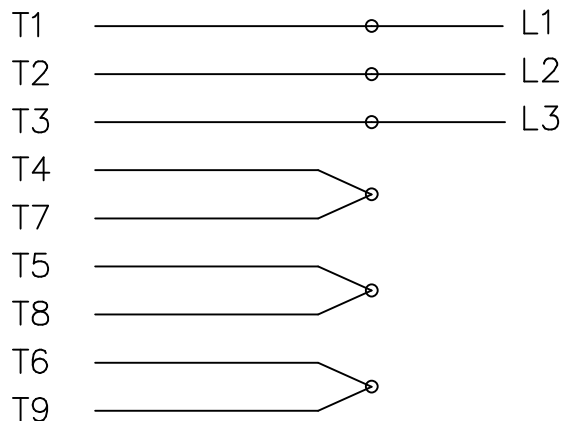
- NOTES:
 1. BOX CAN BE ROTATED IN 90 ° STEPS
 2. BOX CAN BE MOUNTED ON OPPOSITE SIDE BY REMOVING BRACKETS AND TURNING FRAME 180 °
 3. NAMEPLATE READ FROM CONDUIN BOX SIE OF MOTOR

				TOLERANCES UNLESS SPECIFIED				DRAWN MSG 06/21/2000	
				DEC INCHES				CHK ML 06/22/2000	
				X ±.1		TITLE OUTLINE		APPR TOM 06/22/2000	
				XX ±.03				SCALE 1:2	
				XXX ±.005		140 FR - BB - TS - TEFC		REF	
1 UPDATED PER ISAAC 11-4672				RFH 01/12/2012 EH		XXXXX ±.0005		FMF	
				CHK LANG ±1/2"		FINISH		PAGE OF	
NO REVISION				BY & DATE		PREV		SIZE DRAWING NO	
THIRD ANGLE PROJECTION				RFP		NETWORK FILE NAME 104534LN		B 104534LN	
								REV 1	

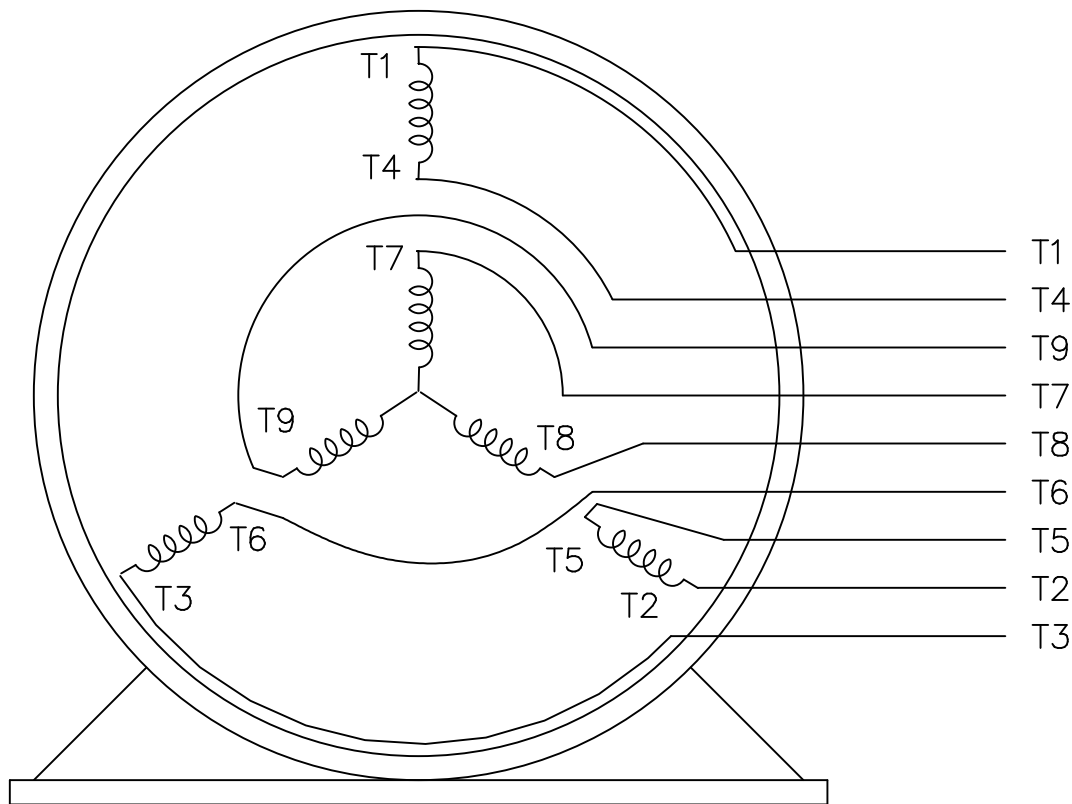
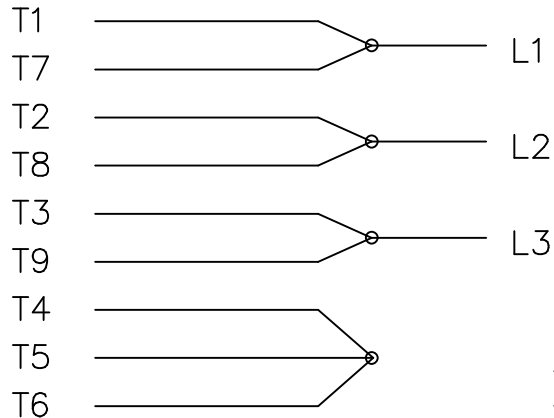
DASH	FRAME	C	B	BS	2F	2FF	2FFF
750	143/5T	14.29	7.25	5.06	4.00	5.00	6.25

THREE PHASE
DUAL VOLTAGE MOTOR

HIGH VOLTAGE



LOW VOLTAGE



VIEW OF TERMINAL END

REF.
WINDING DIAGRAM

T8Y, T2Y, T2BL, T4BX, T2EC, T2G
T6BZ, T2B, T6BL, T4AV, T6B, T4B

OPTIONAL CORD
CONNECTION

L1 — WHITE
L2 — RED
L3 — BLACK

NO.	REVISION	BY & DATE	CHK	TOLERANCES UNLESS SPECIFIED		FINISH	DRAWN	DATE	SCALE	REV.
				DEC.	INCHES					
				.X	±.1		BLR	06/11/1999		
							ML	06/18/1999		
							GK	06/18/1999		
3	ADDED THE OPTIONAL CORD CONNECTION MU46318	RDH 04/24/2003	DRS	.XX	±.02	TITLE CONNECTION DIAGRAM			1=1	
2	RE-ISSUE, ADDED '-' TO PART NUMBER	BLR 08/09/1999	GK	.XXX	±.005	3∅ - DUAL VOLTAGE MOTOR				
1	NEW DRAWING	BLR 06/18/1999	GK	.XXXX	±.0005	MAT'L.				
				ANG	±7'30"					
			RFP			CAD FILE EE7308LN	SIZE	DRAWING NO.	PAGE	OF
			DIST	WP			A	EE7308-LN		3



Data Sheet

Date: 1/30/2018

LM32862



Data @ **460 V**

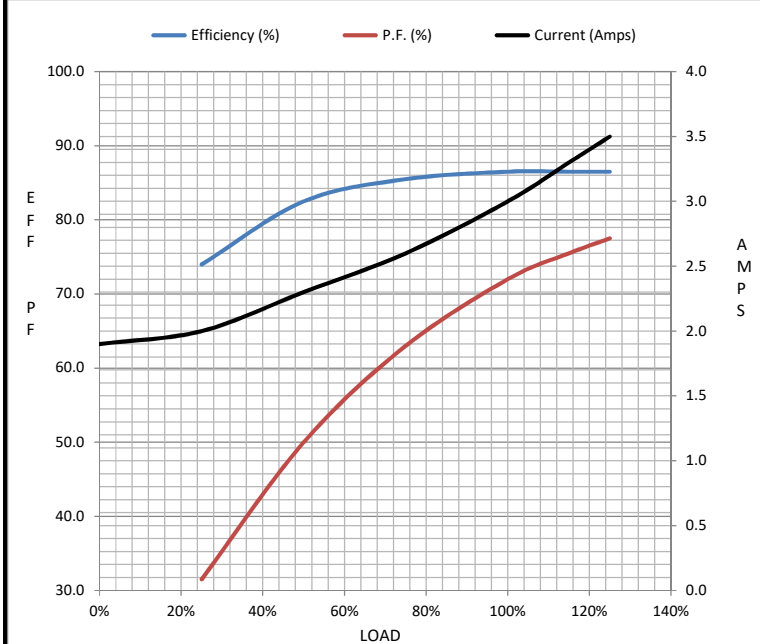
Motor Load Data

Load	0%	25%	50%	75%	100%	115%	125%	LR
Current (Amps)	1.90	2.00	2.30	2.60	3.0	3.3	3.5	30.0
Torque (ft-lb)	0.00	1.50	2.95	4.5	6.0	6.9	7.5	24.5
RPM	1800	1790	1780	1770	1755	1.750	1745	0
Efficiency (%)		74.0	82.5	85.5	86.5	86.5	86.5	
P.F. (%)	8.0	31.5	50.0	63.0	72.0	75.5	77.5	69.0

Motor Speed Data

	LR	Pull-Up	BD	Rated	Idle
Speed (RPM)	0	900	1245	1755	1800
Current (Amps)	30.0	25.0	18.7	3.0	1.90
Torque (ft-lb)	24.5	22.1	32.5	6.0	0.00

Information Block				
HP	2.0			
Sync. RPM	1800			
Frame	145			
Enclosure	TEFC			
Construction	TFN			
Voltage	230/460 V			
Frequency	60 Hz			
Design	A			
LR Code letter	N			
Service Factor	1.15			
Temp Rise @ FL	35 °C			
Duty	CONT			
Ambient	40 °C			
Elevation	1,000 feet			
Rotor/Shaft wk ²	0.13 Lb-Ft ²			
Ref Wdg	ZT4166 R1			
Sound Pressure @ 1M	62 dBA			
VFD Rating	NONE			
Outline Dwg	B-104534LN-750			
Conn. Diag	A-EE7308-LN			
Additional Specifications:				
0				
0				
EQUIV CKT (OHMS / PHASE)				
R1	R2	X1	X2	Xm
3.8060	3.0530	5.9070	6.1490	165.4160



Speed - Torque Curve

